

3 | Details of Curriculum

Degree in a Stream

The complete curricula for GU-FYUGP are as follows.

3.1 | Degree with Major and Minors

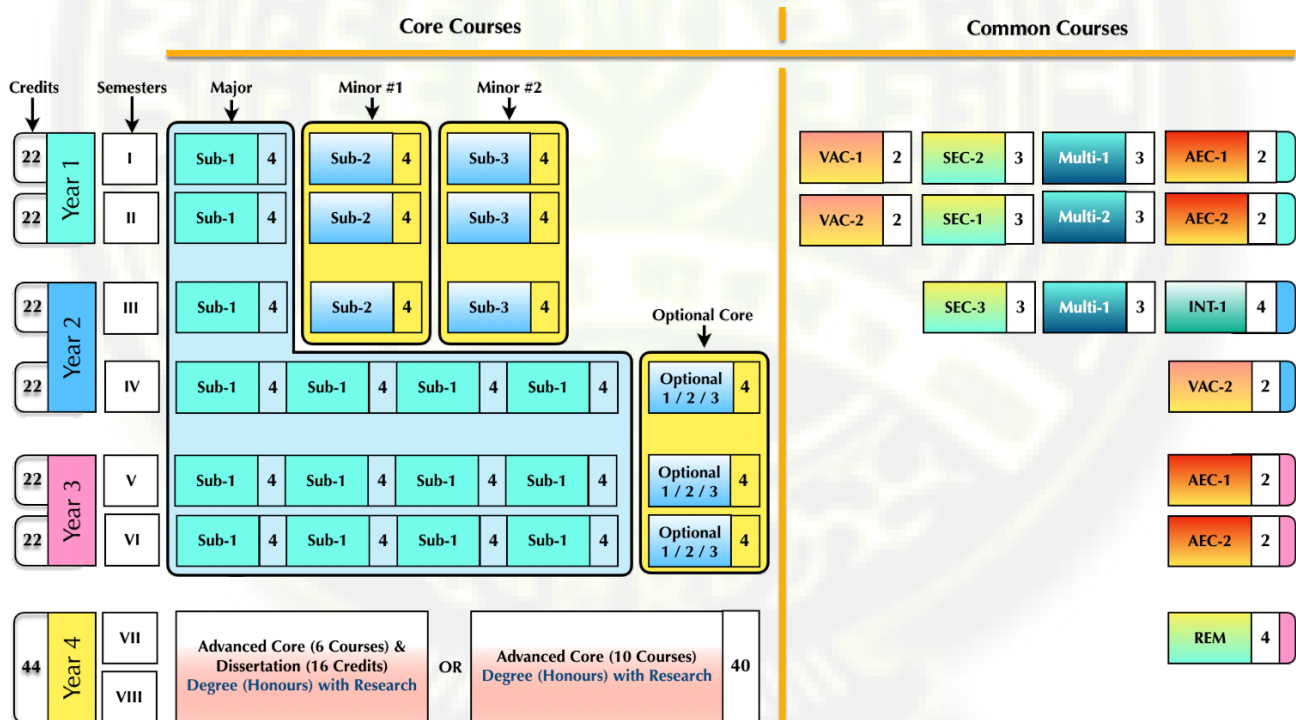


Figure 3.1: Core Courses options — Option for a Major and two Minors.

3.1.1 Legends

VAC – Value Added Course
 SEC – Skill Enhancement Course
 Multi – Multidisciplinary Course

AEC – Ability Enhancement Course
 INT – Internship
 REM – Research Methodology

3.1.2 Core Course description

In this case, a student takes a Major subject with minimum 15 courses and two Minor subjects with a minimum of 3 courses each over a period of three years. Apart from these, the student also needs to take 3 Core courses during Semesters 4-6 where s/he can pick any of the three core subjects s/he has already studied.

3.2 | Degree with only Minors

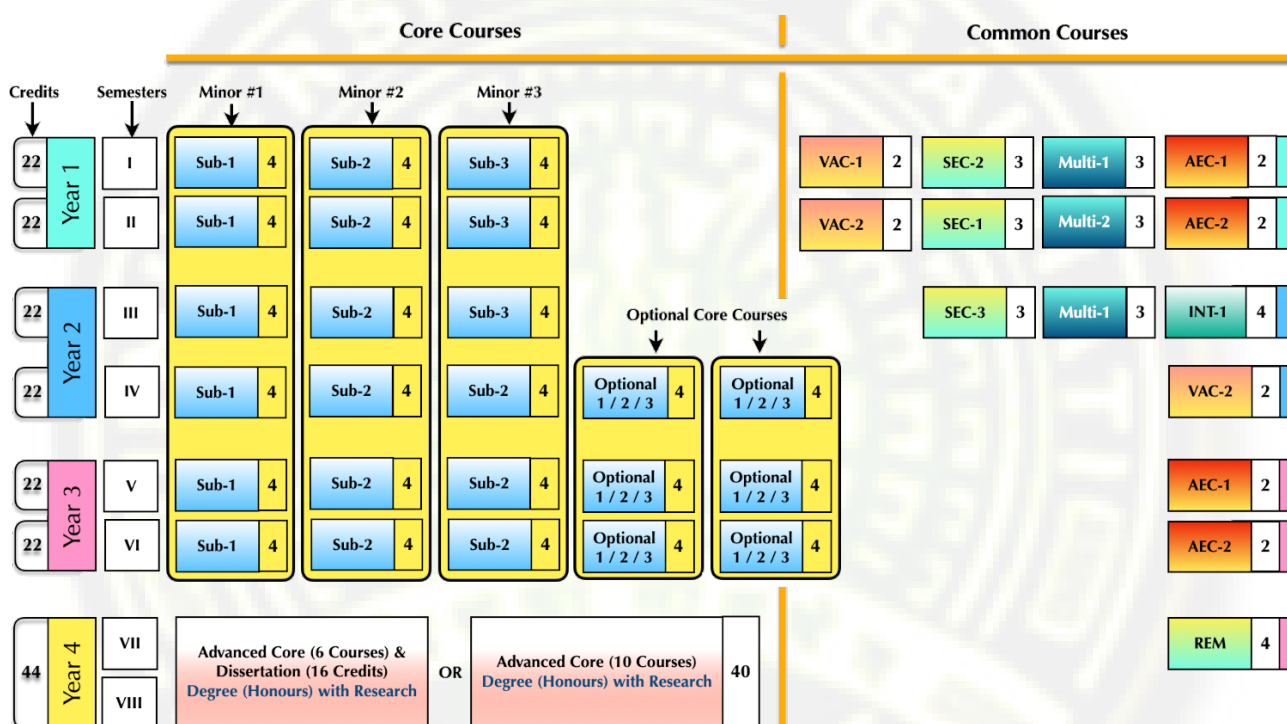


Figure 3.2: Core Courses options — Option with only Minors.

3.2.1 Core Course description

In this case, a student takes a three Minor subjects each with a minimum 6 courses over a period of three years. Apart from these, the student also needs to take 6 Core courses during Semesters 4-6 where s/he can pick any of the three core subjects s/he has already studied.